

R028B



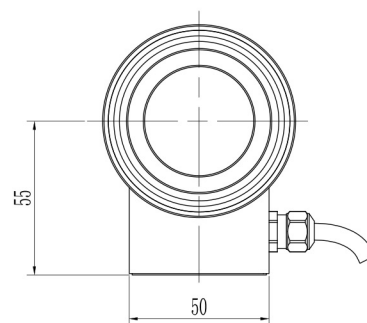
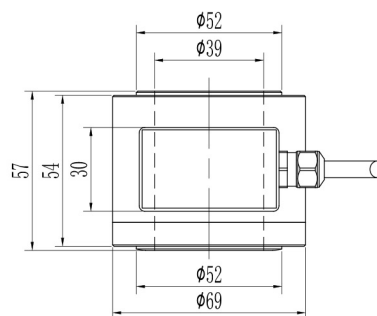
◆ 特点与用途/Features & Applications

- 不锈钢材料，稳定性好
- 尺寸、量程可定制
- 适用于自动化冲压设备，冲击力检测设备，气动液压设备等领域
- Made of stainless steel with good stability
- Size and capacity could be customized
- Mainly used for equipments of punching, testing equipments of impact force, pneumatic hydraulic equipments.

◆ 参数 Specifications 技术指标/Technique

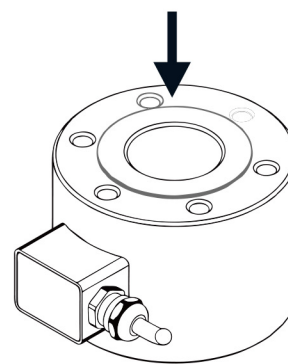
| 参数 | Specifications | 技术指标/Technique |
|------------|------------------------|----------------------|
| 额定容量 | Capacity | 200,300,400,500kN |
| 输出灵敏度 | Rated output | 2.0 ± 10% mV/V |
| 零点输出 | Zero balance | ± 0.05% F.S. |
| 非线性 | Non-linearity | 0.5% F.S. |
| 滞后 | Hysteresis | 0.5% F.S. |
| 重复性 | Repeatability | 0.1% F.S. |
| 蠕变 (30min) | Creep(30min) | 0.1% F.S. |
| 温度灵敏度漂移 | Temp. effect on output | 0.05% F.S./10°C |
| 零点温度漂移 | Temp. effect on zero | 0.03% F.S./10°C |
| 输入电阻 | Input impedance | 780 ± 20 Ω |
| 输出电阻 | Output impedance | 700 ± 5 Ω |
| 绝缘电阻 | Insulation | ≥ 5000 MΩ/100VDC |
| 激励电压 | Recommended excitation | 10V |
| 最大激励电压 | Maximum excitation | 15V |
| 温度补偿范围 | Compensated temp range | -10~60°C |
| 工作温度范围 | Operation temp range | -20~80°C |
| 安全超载 | Safe overload | 150% F.S. |
| 极限超载 | Ultimate overload | 300% F.S. |
| 电缆线尺寸 | Cable size | φ 5 × 3000mm |
| 单件重量 | Weight approx. | 1.5kg |
| 材料 | Material | Stainless Steel(不锈钢) |
| 防护等级 | IP Class | IP67 |

◆ 安装尺寸/Mounting Dimension



| Capacity (kN) | H | C | D1 | D2 | D3 | B | E | M A |
|---------------|-----|-----|-----|------|----|-----|---|--------|
| 200 | 60 | 96 | 80 | 40.4 | 32 | 64 | 6 | M8 8 |
| 300 | 60 | 96 | 80 | 52 | 32 | 64 | 6 | M8 8 |
| 400 | 100 | 188 | 168 | 88 | 68 | 130 | 8 | M12 15 |
| 500 | 100 | 188 | 168 | 106 | 68 | 130 | 8 | M12 15 |

◆ 受力方式/Load Direction



配线图/ Wiring Code

